



BAĞSAN

MHR-105 SERIES

Swing Wheel Telescopic Loaders



📍 Horozluhan Mh. Albayrak Cd. No:1 Selçuklu / Konya / TÜRKİYE

🌐 www.bagsanglobal.com

☎ +90 544 409 98 11





MHR-105 Series

Swing Wheel Telescopic Loaders

Technical Specifications

General Informations

The MHR-105 Series offers unmatched adaptability with its boom capable of rotating 90° to the right and left, allowing you to work efficiently even in tight or hard-to-reach spaces. This feature enhances operational flexibility, enabling precise material handling and reducing the need for constant repositioning.

Whether you're navigating confined areas or maximizing reach in expansive worksites, the MHR-105, MHR-105 Plus, and MHR-105 Extra models are built to make every task easier and more efficient.

Upgrade your operations today with the innovative design of the MHR-105 Series!

	Max. Lift Capacity	Max. Lift Height	Max. Out-reach
MHR-105	3 tons	7.8 meters	5.1 meters
MHR-105 Plus	3 tons	9.0 meters	6.3 meters
MHR-105 Extra	3 tons	12 meters	9.3 meters

*Technical datas for each loader are provided in the following sections.



MHR-105 Series

Swing Wheel Telescopic Loaders

Technical Specifications

General Informations

All models in this series share the following key features:

- **Advanced Drive System:** Equipped with 4x4 drive and articulated steering, ensuring superior maneuverability even in challenging terrains.
- **Crab Steering:** Enabling diagonal movement for enhanced precision and improved maneuverability in confined areas.
- **Automatic Transmission:** The automatic transmission system enhances ease of use, allowing operators to focus on the task without manual gear shifting.
- **Rotatable Telescopic Boom:** Unmatched adaptability with its boom capable of rotating 90° to the right and left, allowing you to work efficiently even in tight or hard-to-reach spaces.
- **Diesel-Powered Efficiency:** Powered by robust diesel engines, the BGS-105 Series offers excellent fuel efficiency and long-lasting performance.
- **Durable and Versatile Design:** Designed for reliability, these loaders are built with high-quality materials and engineered to withstand tough working conditions.
- **Operator Comfort:** Spacious and ergonomic cabins provide a comfortable working environment, minimizing operator fatigue and maximizing productivity.

The MHR-105 Series is the perfect combination of strength, efficiency, and innovation, tailored to meet the demands of modern businesses.



MHR-105 Series

Swing Wheel Telescopic Loaders

Technical Specifications

Power That Drives Performance

Brand & Model	Perkins 1104D-44T	Tümosan 4DT-39T-175C
Emissions	UN ECE R96 Stage IIIA, China Nonroad Stage III	Stage IIIA
Maximum Power	99.9 HP (74.5 kW)	105 HP @2300 rpm
Maximum Torque	392 Nm @ 1400 rpm	350 Nm @1500 rpm
Number of Cylinders	4 inline	4 inline
Cycle	4 stroke	4 stroke
Aspiration	Turbocharged	Turbocharged
Combustion System	Direct injection	Direct injection
Cooling System	Liquid	Liquid

The engines used in the MHR-105 Swing Wheel Telescopic Loader Series can be customized by BAGSAN to ensure compatibility with the technical service and spare parts availability in the destination country. This flexibility minimizes potential service and maintenance challenges, ensuring uninterrupted operation and customer satisfaction.



MHR-105 Series

Swing Wheel Telescopic Loaders

Technical Specifications

Chassis Designed for Strength and Stability

Chassis	Subframe reinforced
Type	The front axle and rear axle are fixed to the fram
Tires	16.9/24

- **Consistent Chassis Design:** All models in the MHR-105 Series feature uniform chassis dimensions, ensuring compatibility and smooth performance across various applications.
- **Proven Strength:** A robust design built to deliver durability and resilience, providing reliable performance with every model.
- **Effortless Maintenance:** The standardized chassis simplifies servicing and part replacement, reducing downtime and enhancing operational efficiency.
- **Enhanced Stability:** Engineered for balance and performance, the chassis ensures smooth handling and optimal functionality, even in demanding environments.

One design, infinite possibilities—trust in the durability and versatility of the MHR-105 Series chassis to tackle any job.



MHR-105 Series

Swing Wheel Telescopic Loaders

Technical Specifications

Experience Unmatched Operator Comfort

- **Reverse View Camera:** Work with confidence and enhanced safety, even in tight spaces.
- **Optimized Viewing Angle:** Achieve superior visibility for precise and efficient operations.
- **Widened Interior Cabin:** Enjoy a spacious workspace designed for maximum productivity.
- **High-Capacity Air Conditioning:** Stay cool and focused, even in the toughest environments.
- **High-Resolution Colored Dashboard:** Access critical machine information at a glance with vibrant clarity.
- **Air Suspension Seat:** Reduce fatigue and stay comfortable during long hours of operation.
- **Carpeted Interior:** Experience a touch of luxury in a durable and professional cabin.

Elevate your working experience with a cabin built for comfort, control, and efficiency!



MHR-105 Series

Swing Wheel Telescopic Loaders

Technical Specifications

Steer with Precision, Navigate with Confidence.

Type	Hydraulic type steering and front wheel controlled by 4 cylinders
Automatic Gearbox	4 Stage (4 Fwd / 4 Rvs)
Steering Modes	4 WD, CRAB Steering
Maximum Speed	30 km/h
Minimum Speed	8 km/h
Climbability	27°
Parking Brake	Pneumatic Diaphragm Brake System

- **Articulated Steering:** Delivers superior maneuverability, allowing smooth and effortless navigation in tight or challenging spaces.
- **Enhanced Control and Stability:** Engineered for precise and responsive handling, boosting operator confidence and operational safety.
- **Uniform Across the Series:** Consistent steering design across all MHR-105 models ensures seamless operation and ease of use.



MHR-105 Series

Swing Wheel Telescopic Loaders

Technical Specifications

Hydraulic System: Fluid Power, Unmatched Precision

Type	Fixed Displacement Gear Pump
Max. Output	117 L/min
Pilot Pump	51 L/min (Gear Wheel)

- **High-Performance Hydraulics:** Provides dependable power for lifting, swinging, and other demanding operations, ensuring seamless and efficient workflows.
- **Optimized Pressure Control:** Maintains consistent performance under heavy loads, delivering reliability across all MHR-105 models.
- **Ease of Maintenance:** Standardized hydraulic components simplify servicing, minimizing downtime and reducing costs.
- **Robust and Long-Lasting Design:** Engineered to endure heavy-duty tasks, offering durability and consistent efficiency for long-term use.





MHR-105 Series

Swing Wheel Telescopic Loaders

Technical Specifications

Filling Capacities

Hydraulic System	120 L
Petrol Tank	85 L
Hydraulic Tank	60 L
Engine Oil	8 L
Engine Cooling	6 L

Electric System

Voltage	12 V
Batteries	12 V/180 Ah
Alternator	12 V
Starter	12 V

The filling capacities and electric systems are standardized across the entire MHR-105 Series, ensuring consistent performance and ease of maintenance for all models.

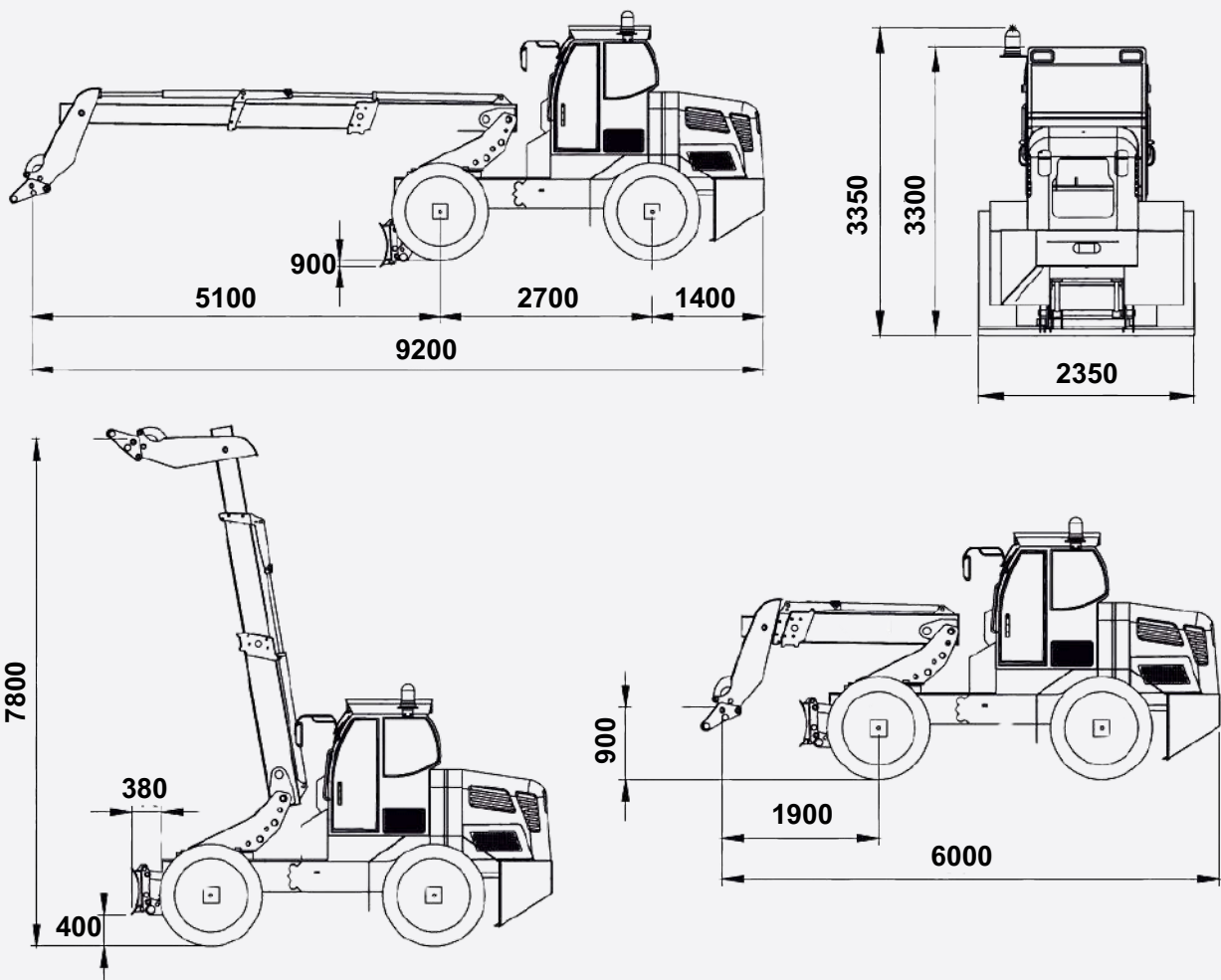


MHR-105 Series

Swing Wheel Telescopic Loaders

Technical Specifications

Dimensions of MHR-105



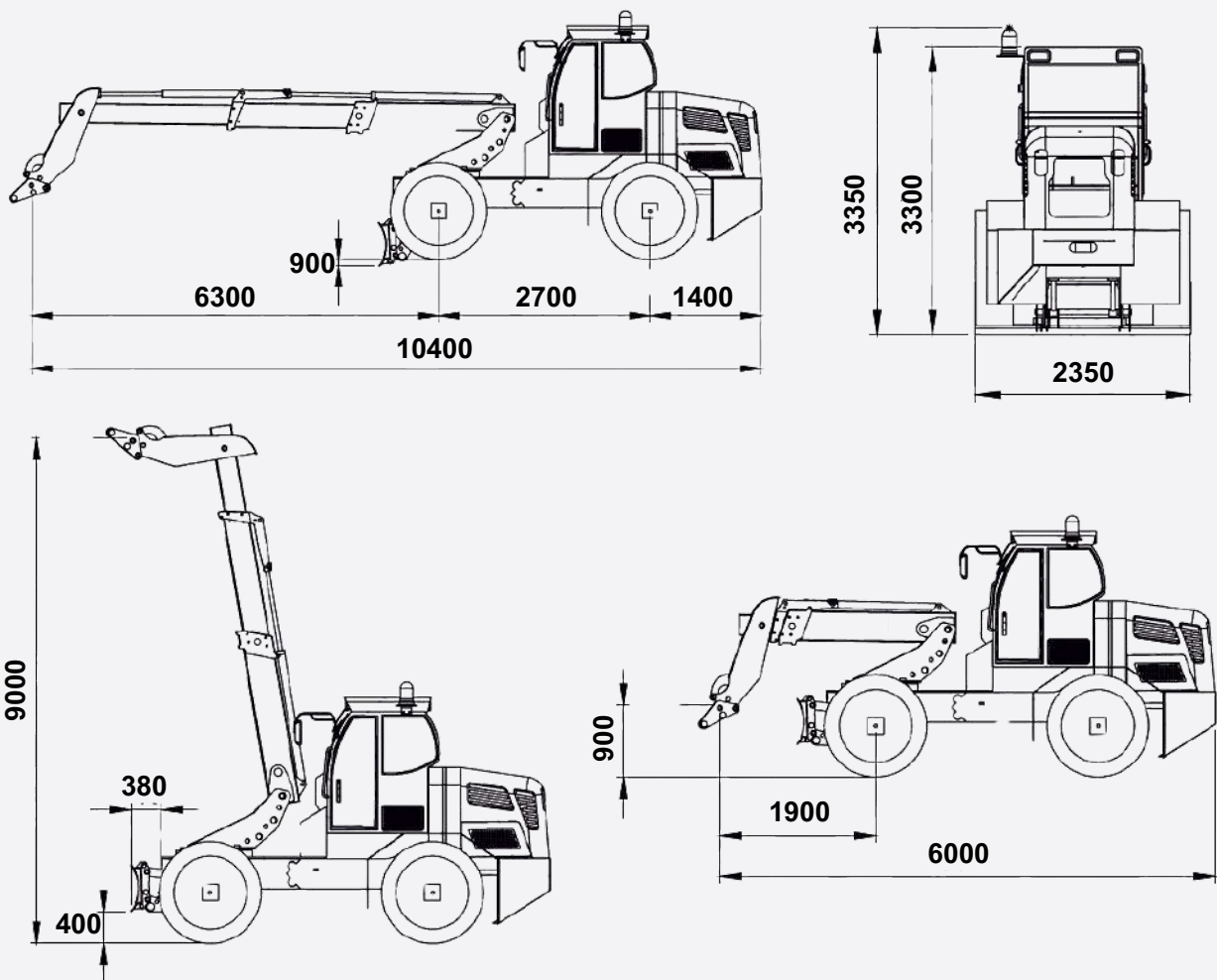


MHR-105 Series

Swing Wheel Telescopic Loaders

Technical Specifications

Dimensions of MHR-105 Plus



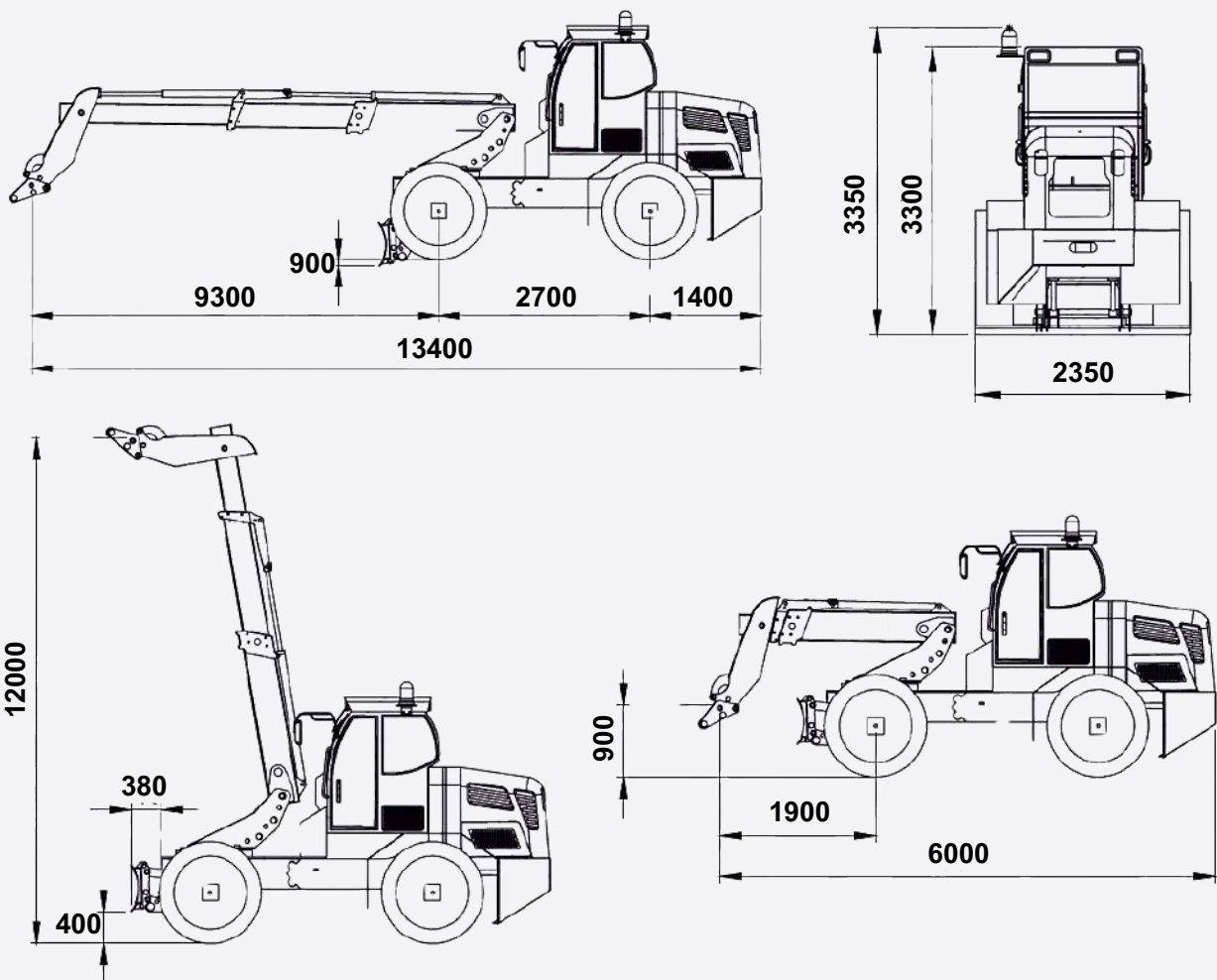


MHR-105 Series

Swing Wheel Telescopic Loaders

Technical Specifications

Dimensions of MHR-105 Extra





MHR-105 Extra

Wheel Telescopic Loader

Technical Specifications

9- Compatible Attachments

- **Standart Bucket**
- **Opening Bucket Large**
- **Grain Bucket**
- **Beet Bucket**
- **Grapple Bucket**
- **Silage Cutting Fork**
- **Log Grapple Fork**
- **Log Grapple 360°**
- **Paper Roll Clamp**
- **Roll Bale Handling**
- **Bale Skewer 3 Fork**
- **Bale Skewer 7 Fork**
- **Pallet Fork**
- **Recycling Handling**
- **Platform Basket Small**
- **Platform Basket Large**
- **Leveling Shovel**







**SCAN FOR
ATTACHMENTS**



bagsanglobal.com



BAĞSAN

-  Horozluhan Mh. Albayrak Cd. No:1 Selçuklu / Konya / TÜRKİYE
-  www.bagsanglobal.com
-  info@bagsanglobal.com
-  +90 544 409 98 11

